

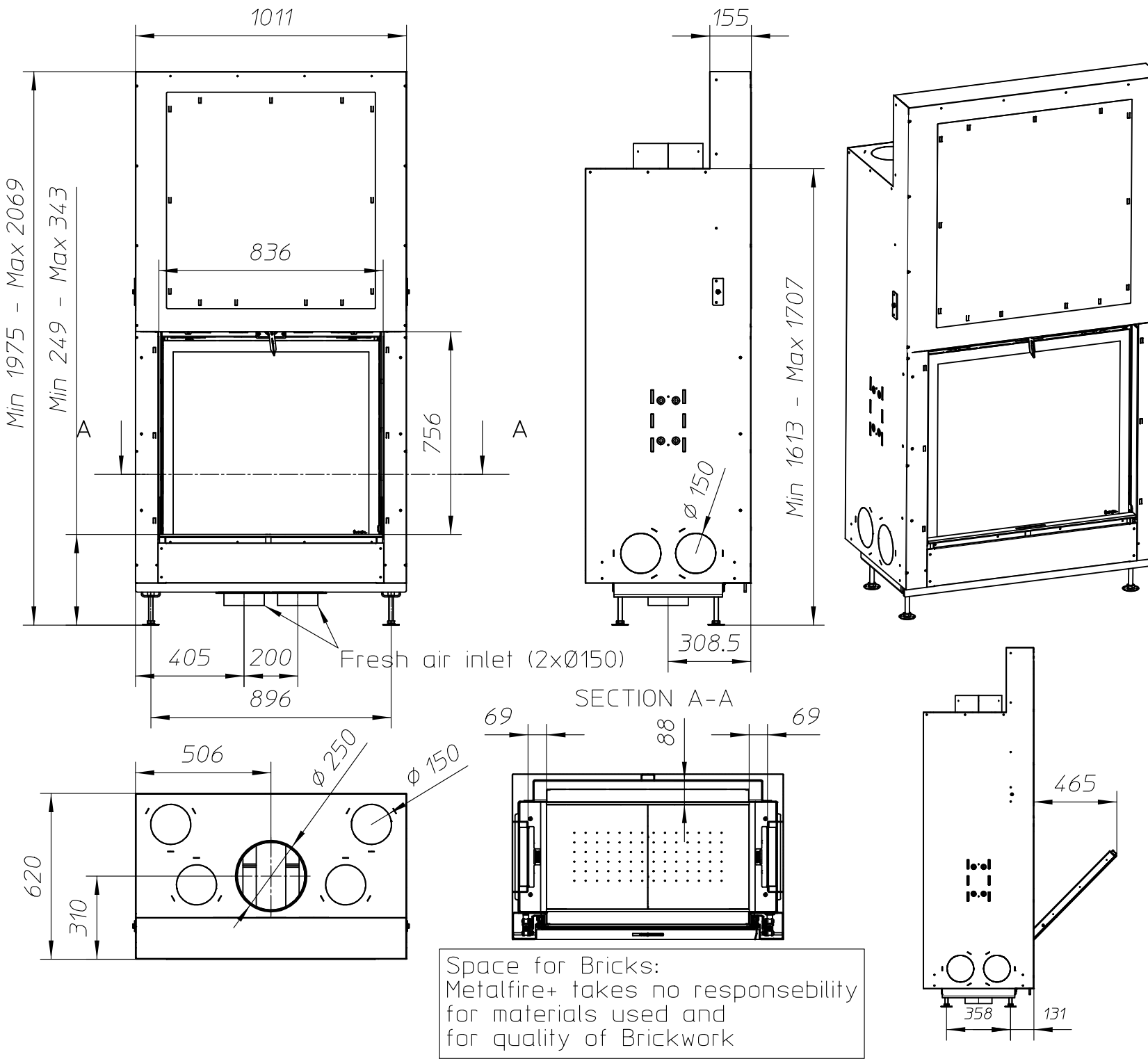
ULTIME D MF 800-75 WHE 1S Brick

### Dimensions (mm)

- combustion opening WxH: 836 x 756
- external WxDxH: 1011 x 620 x 2069
- fresh air intake: 2 x Ø150
- flue gas outlet: Ø250

### Technical Data

- ecolabel: A
- capacity: 18.2kW
- efficiency: 82.3%
- CO (volume with 13%O<sub>2</sub>): 0.08%
- dust (volume with 13%O<sub>2</sub>): 26mg/Nm<sup>3</sup>
- weight: 350kg
- convection air inlet: min.700cm<sup>2</sup> (4 x Ø150)
- convection air outlet: min.700cm<sup>2</sup> (4 x Ø150)



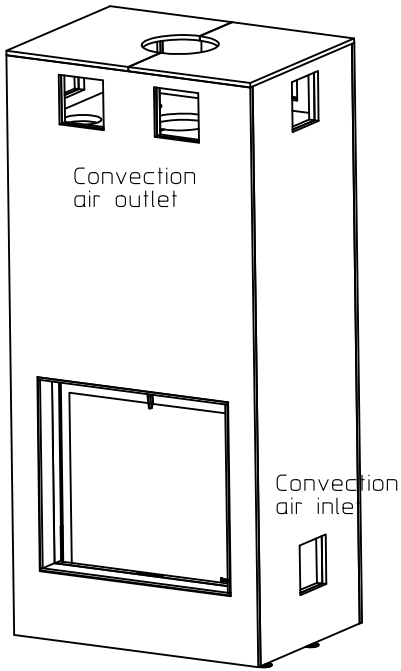
Space for Bricks:  
Metalfire+ takes no responsibility  
for materials used and  
for quality of Brickwork

First aid and technical support:

- support@metalfire.eu
- +32 9 261 51 90

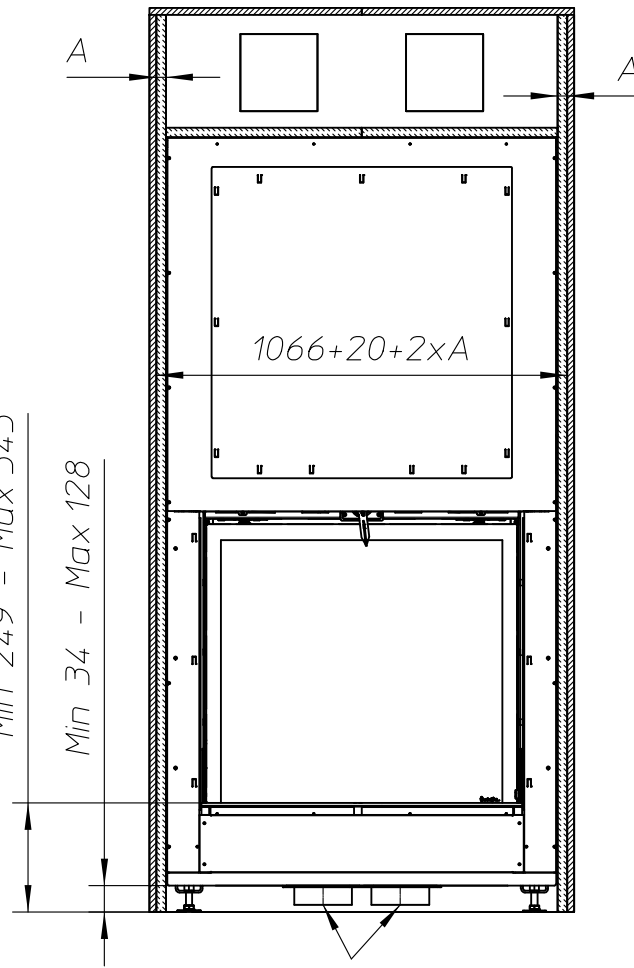
scale 1:20	Rev. A
www.metalfire.eu	EN 13229
General dimensional tolerances up to 6mm Metalfire preserves the right to modify specifications without previous notice	Sheet 1/3

Without finishing frame

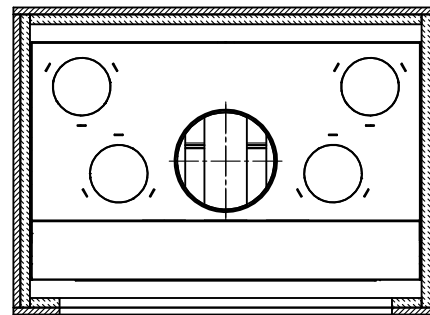


Min 249 - Max 343

Min 34 - Max 128

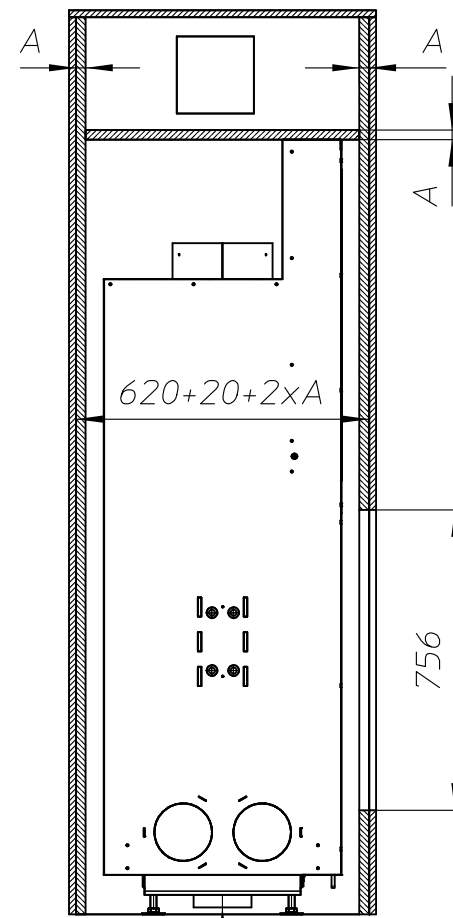


Fresh air inlet (2xØ150)


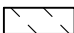


836

Scale 1:20



Fresh air inlet (2xØ150)

-  Combustible finishing material
-  Insulation (thickness see table)

ULTIME D Patented

*Metalfire*

Technical Document

ULTIME D MF 800-75 WHE 1S BRICK

Prescribed insulation thickness (mm)

Combustible finishing material

Metalfire recommended  
SILCA T 300  
(TC = 0,09 W/mK)

A = 25mm

Non-combustible finishing material

non-combustible  
materials  
structural building items  
EXCLUDED e.g. load bearing walls

A = 0mm

TC = thermal conductivity

NC = non-combustible

First aid and technical support:

- [support@metalfire.eu](mailto:support@metalfire.eu)

- +32 9 261 51 90

scale 1:20

[www.metalfire.eu](http://www.metalfire.eu)

EN 13229

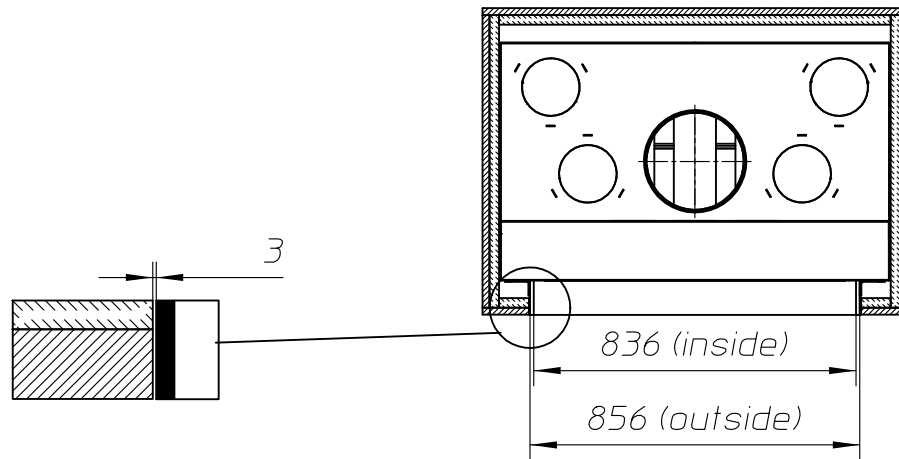
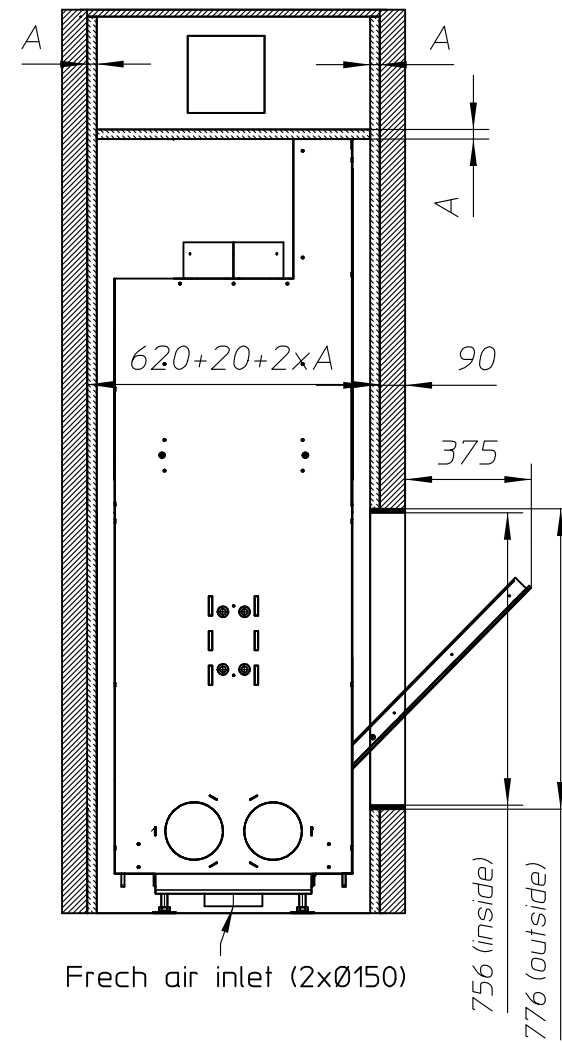
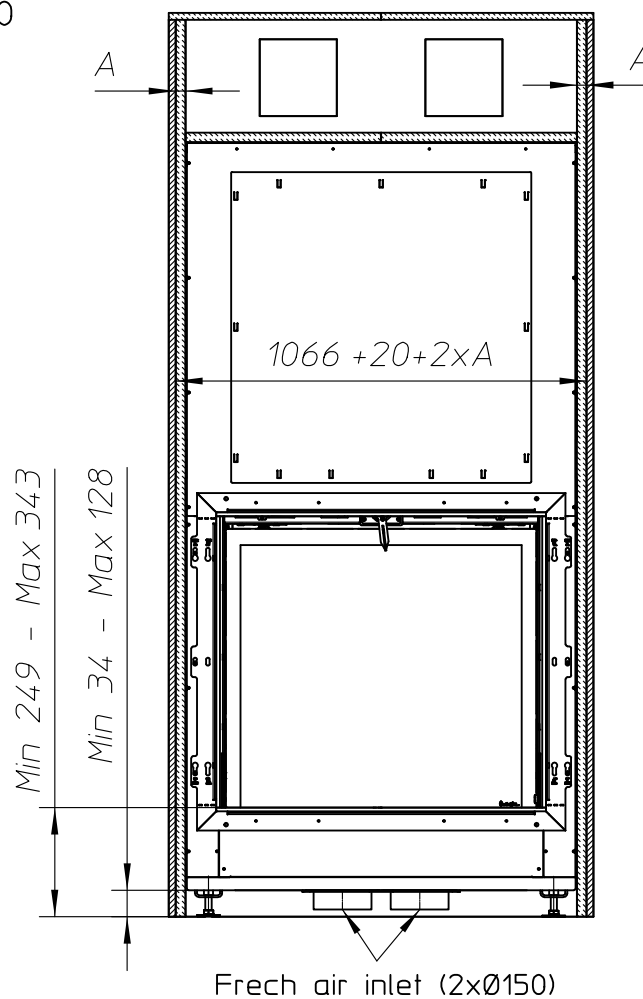
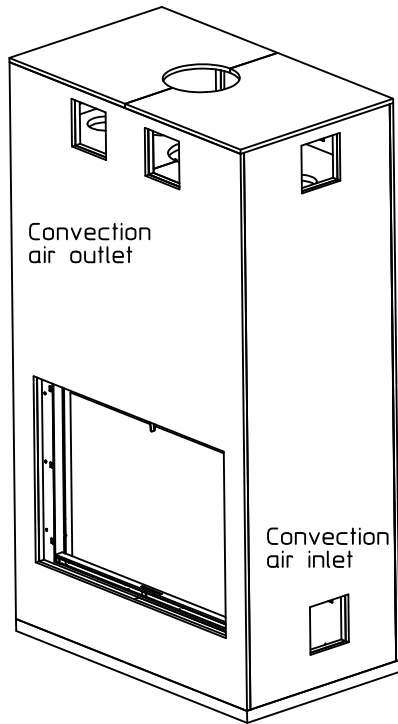
General dimensional tolerances up to 6mm  
Metalfire preserves the right to modify specifications without previous notice


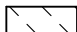
Rev.  
A

CE

Sheet  
2/3

With finishing frame 90/10



 Combustible finishing material  
 Insulation (thickness see table)

ULTIME D Patented

*Metalfire*

Technical Document

ULTIME D MF 800-75 WHE 1S BRICK

Prescribed insulation thickness (mm)

Combustable finishing material

Metalfire recommended  
SILCA T 300  
(TC = 0,09 W/mK)

A = 25mm

Non-combustable finishing material

non-combustable  
materials  
structural building items  
EXCLUDED e.g. load bearing walls

A = 0mm

TC = thermal conductivity NC = non-combustable

First aid and technical support:

- support@metalfire.eu

- +32 9 261 51 90

scale 1:20

www.metalfire.eu EN 13229

General dimensional tolerances up to 6mm  
Metalfire preserves the right to modify specifications without previous notice

Rev.  
A

CE

Sheet  
3/3