

metalfire

Technical Document

Model: UNIVERSAL MF 800-50 W 2SL



Dimensions (mm)

- combustion chamber WxDxH: 800 x 510 x 500
- external WxDxH: 873 x 585 x 1800
- stoke grate WxD: 550 x 370
- fresh air: 1 x \varnothing 150

Specifications

- finishing: heat-resistant black paint
- lockable valve for fresh air and smoke gases
- two-piece cast iron stoke grate
- sliding door in metal wire mesh (black H-R paint)
- finishing: heat-resistant black paint
- interior finishing: ORIGINAL (ribbed cast iron)

Options

- chimney fan RSV 14
- convection jacket (see options)
- interior finishing: MINIMAL 
- DESIGN 

First aid and technical support:

- support@metalfire.eu
- +32 (0)9 261 50 57

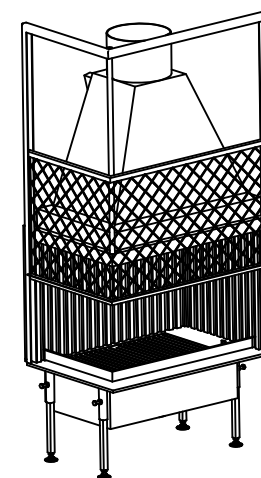
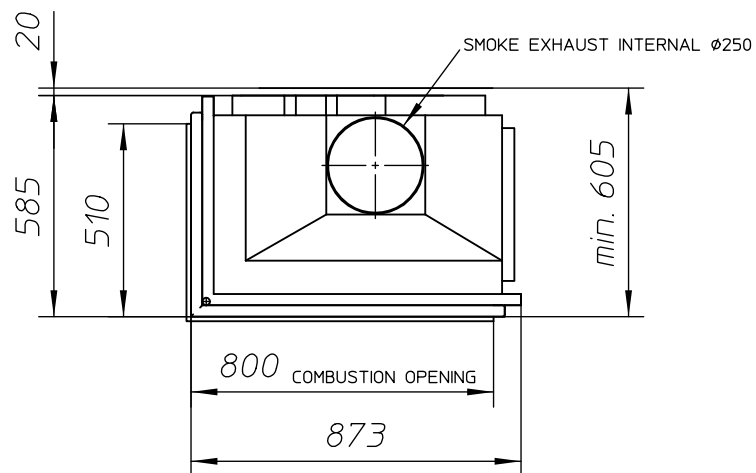
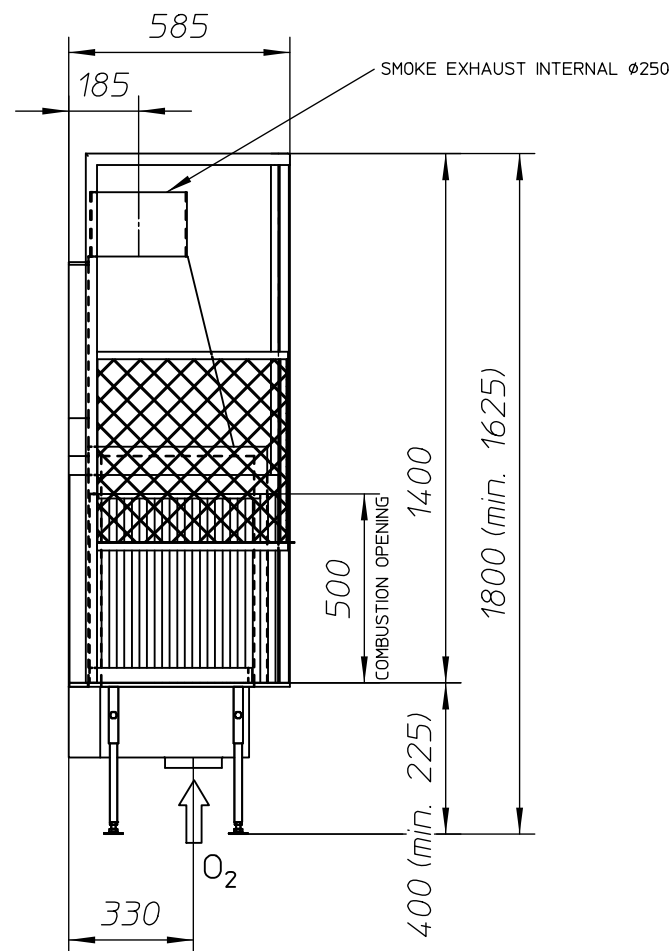
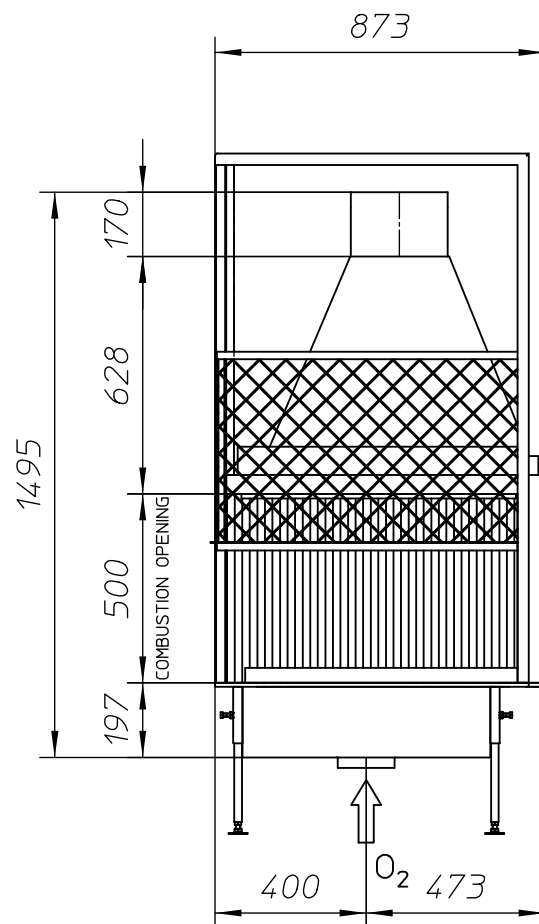
scale 1:20

Rev.
-1

www.metalfire.eu

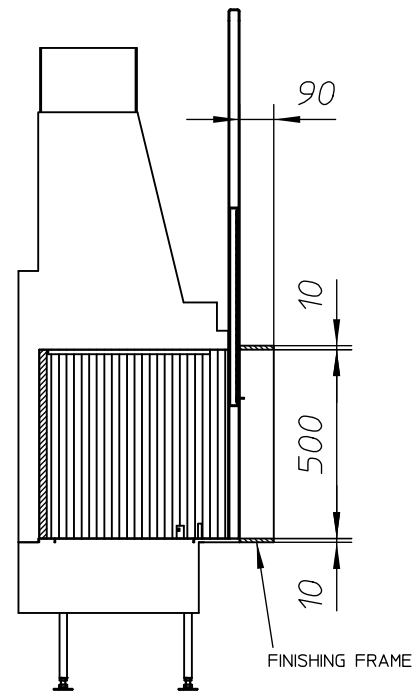
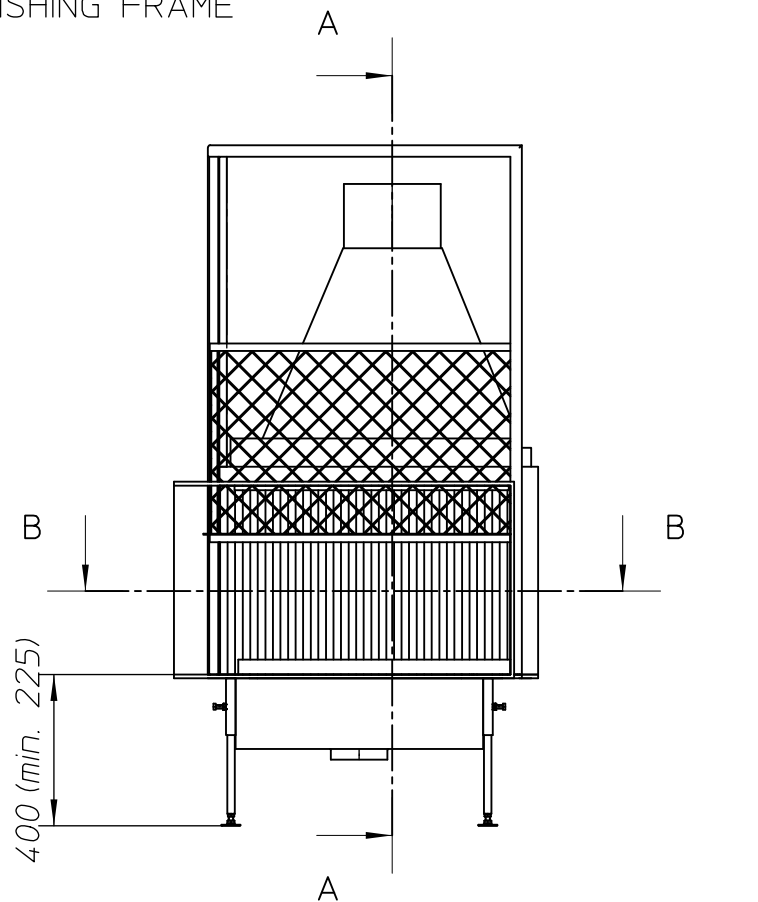
General dimensional tolerances up to 6mm
Metalfire preserves the right to modify specifications without previous notice

Sheet
1/4

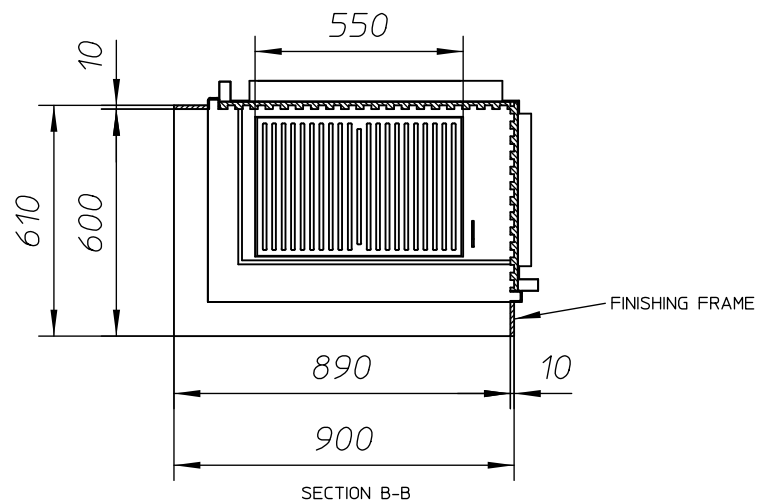


Scale 1:30

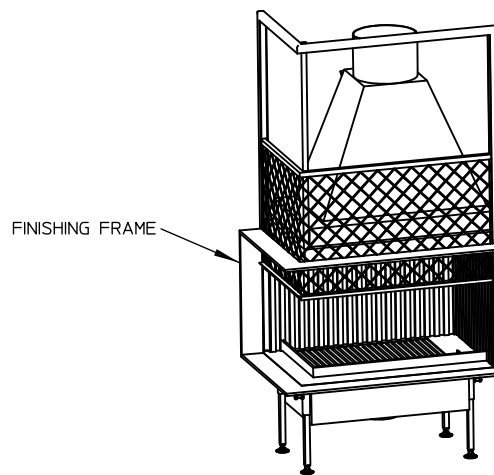
WITH FINISHING FRAME



SECTION A-A



SECTION B-B



Scale 1:30

UNIVERSAL Patented

metalfire

Technical Document

Model: UNIVERSAL MF 800-50 W 2SL



Dimensions (mm)

- combustion chamber WxDxH 800 x 510 x 500
- external WxDxH: 873 x 585 x 1800
- stoke grate WxD: 550 x 370
- fresh air: 1 x Ø150

Specifications

- finishing: heat-resistant black paint
- lockable valve for fresh air and smoke gases
- two-piece cast iron stoke grate
- sliding door in metal wire mesh (black H-R paint)
- finishing: heat-resistant black paint
- interior finishing: ORIGINAL (ribbed cast iron)

Options

- chimney fan RSV 14
- convection jacket (see options)
- interior finishing: MINIMAL  DESIGN 

First aid and technical support:

- support@metalfire.eu
- +32 (0)9 261 50 57

scale 1:20

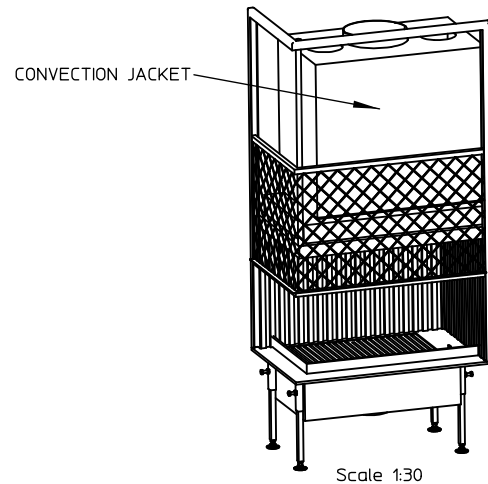
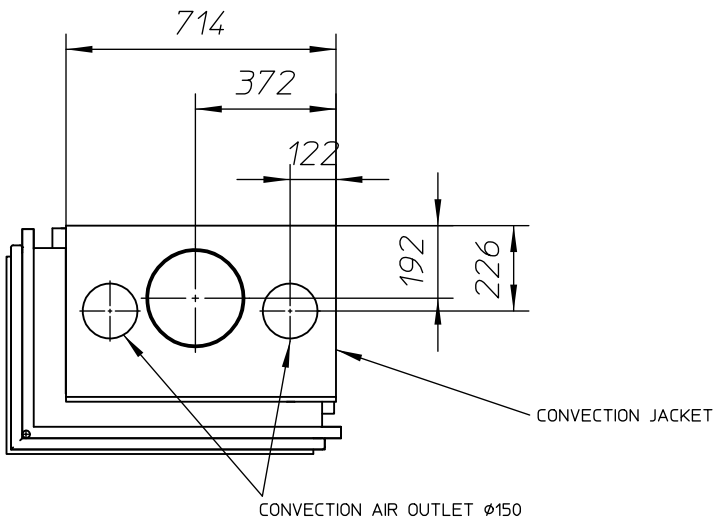
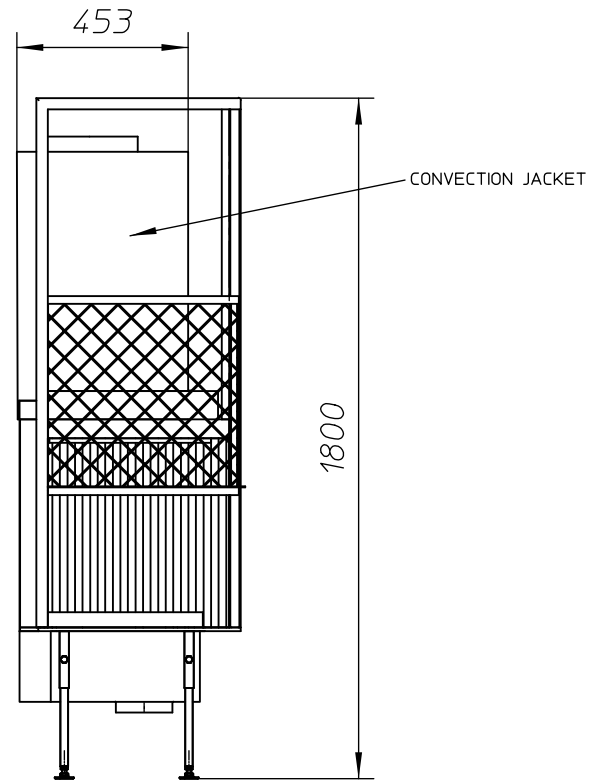
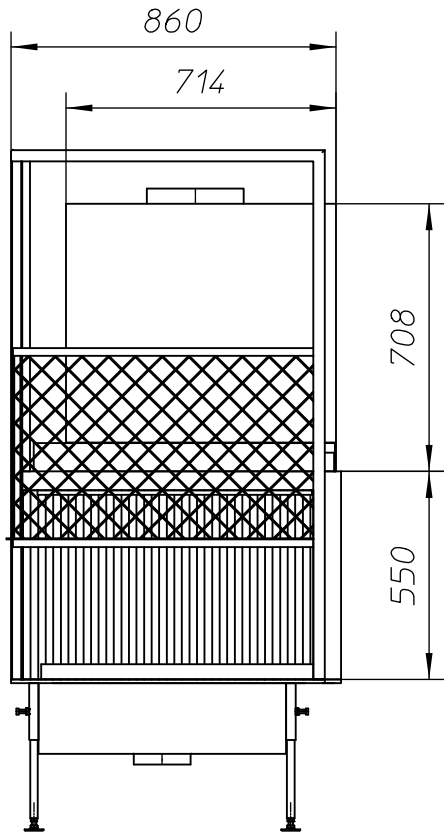
Rev.
-1

www.metalfire.eu

General dimensional tolerances up to 6mm
Metalfire preserves the right to modify specifications without previous notice

Sheet
2/4

WITH CONVECTION JACKET



UNIVERSAL Patented

metalfire

Technical Document

Model: UNIVERSAL MF 800-50 W 2SL

Dimensions (mm)

- combustion chamber WxDxH 800 x 510 x 500
- external WxDxH: 873 x 585 x 1800
- stoke grate WxD: 550 x 370
- fresh air: 1 x ø150

Specifications

- finishing: heat-resistant black paint
- lockable valve for fresh air and smoke gases
- two-piece cast iron stoke grate
- sliding door in metal wire mesh (black H-R paint)
- finishing: heat-resistant black paint
- interior finishing: ORIGINAL (ribbed cast iron)

Options

- chimney fan RSV 14
- convection jacket (see options)
- interior finishing: MINIMAL DESIGN

First aid and technical support:

- support@metalfire.eu
- +32 (0)9 261 50 57

scale 1:20

Rev. -1

www.metalfire.eu

General dimensional tolerances up to 6mm
Metalfire preserves the right to modify specifications without previous notice

Sheet 3/4

(mm)	A	B	C	D	E
MF 800-50/75 1S	1010	600	225	A/2	360
MF 800-50/75 2S	955	600	225	A/2	360
MF 800-50 3S	960	630	280	A/2	390
MF 800-50/75 T	1010	590	225	A/2	360
MF 800-75 BBQ	1030	600	225	A/2	360

Model: UNIVERSAL MF 800-50 W 2SL


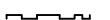
Dimensions (mm)

- combustion chamber WxDxH: 800 x 510 x 500
- external WxDxH: 873 x 585 x 1800
- stoke grate WxD: 550 x 370
- fresh air: 1 x \varnothing 150

Specifications

- finishing: heat-resistant black paint
- lockable valve for fresh air and smoke gases
- two-piece cast iron stoke grate
- sliding door in metal wire mesh (black H-R paint)
- finishing: heat-resistant black paint
- interior finishing: ORIGINAL (ribbed cast iron)

Options

- chimney fan RSV 14
- convection jacket (see options)
- interior finishing: MINIMAL 
- DESIGN 

First aid and technical support:

- support@metalfire.eu
- +32 (0)9 261 50 57

scale 1:20

Rev.
-1

www.metalfire.eu

General dimensional tolerances up to 6mm
Metalfire preserves the right to modify specifications without previous notice

Sheet
4/4

